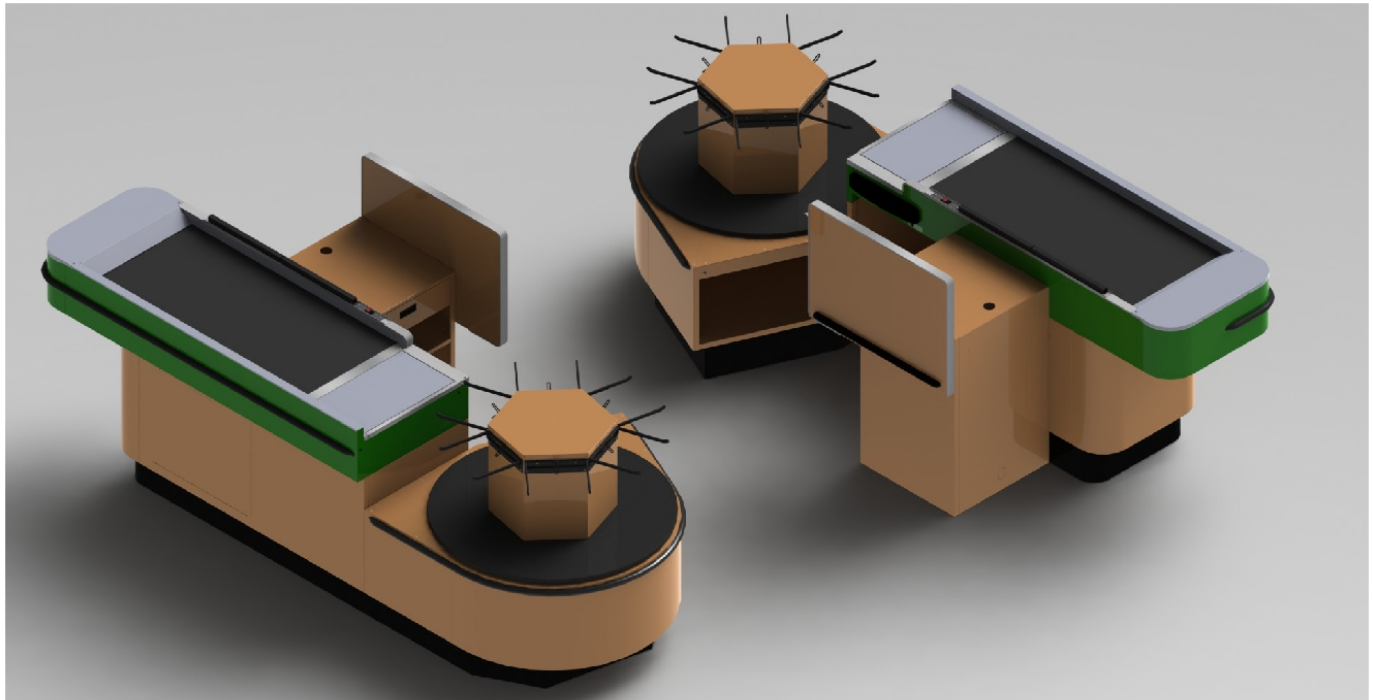
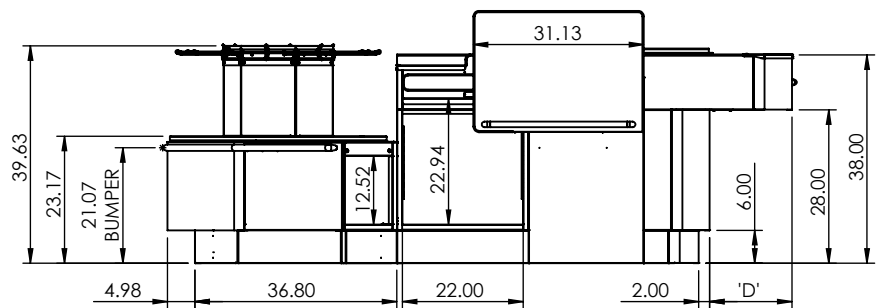
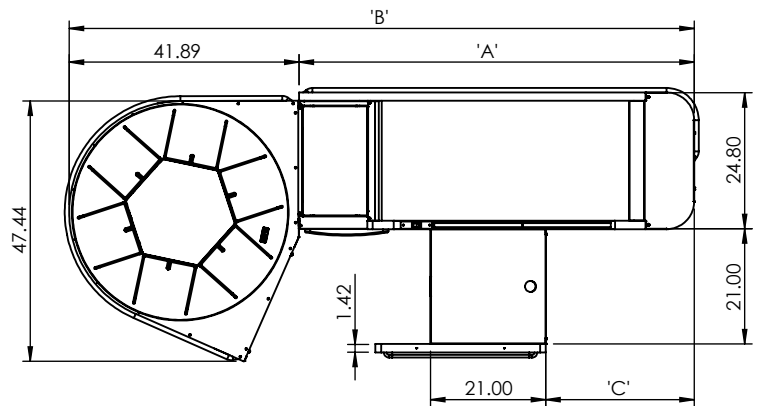


Value Series Belted Carousel Checkout (6-Bag)



FEATURES

- 6-Bag Carousel operation
- Radius design
- Standard 21" cashstand with utility drawer and metal security shield
- Optional keyboard and check-writing shelf
- Cashier lean pad
- Electrical outlets included
- 5 optional conveyor lengths
- 2 optional cashstand widths, 19" & 24.5"
- Durable welded construction
- Other options available



CONVEYOR LENGTH (FT.)	DIMENSION (IN.)			
	A	B	C	D
8'	96.00	137.89	51.00	15.00
7'	84.00	125.89	39.00	15.00
6'	72.00	113.89	27.00	15.00
5'	60.00	101.89	15.00	8.00
4'	48.00	89.89	3.00	3.00

For additional information and options contact Lyons Store Fixtures.



LYONS
STORE FIXTURES

11301 Electron Drive • Louisville, KY 40299 • Toll Free: 1-866-478-2372 • Fax: 1-866-478-2373