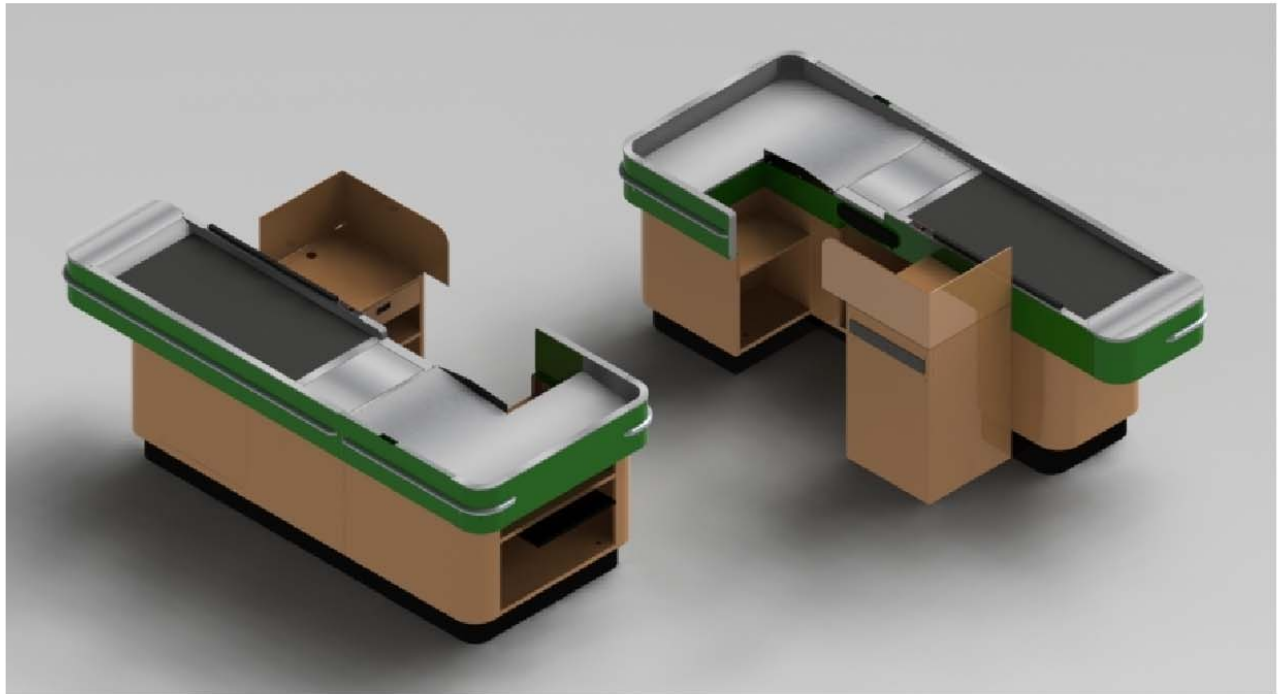


SPECIFICATION SHEET - Model VS1004-L

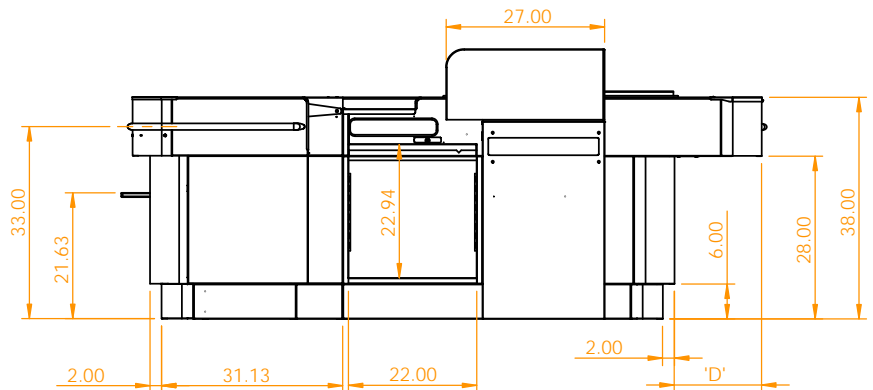
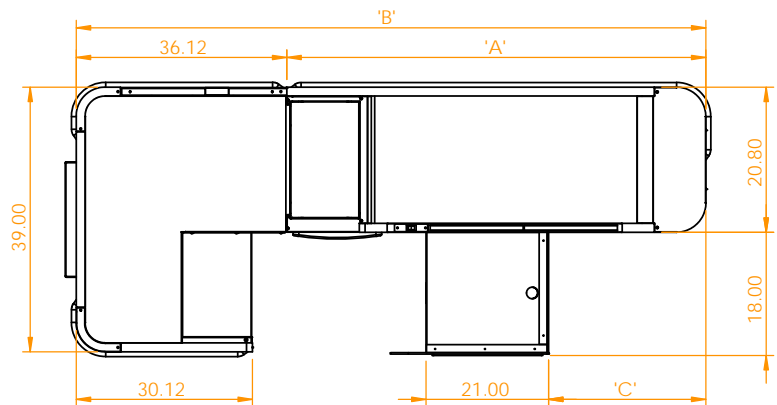
Value Series Belted Scan-and-Pass Checkout



FEATURES

- Scan and pass operation - 36" lg. rear module
- Radius design
- Cashier bag station
- Black plastic bagging shelf
- Standard cashstand with utility drawer and metal security shield
- Optional keyboard and check-writing shelf
- Cashier lean pad
- Electrical outlets included
- 2 optional conveyor lengths (48" & 60")
- Durable welded construction
- Other options available

Note:
Scanner opening designed to fit medium and small scanners only!!



For additional information and options contact Lyons Store Fixtures.

CONVEYOR LENGTH (FT.)	DIMENSION (IN.)			
	A	B	C	D
5'	60.00	96.13	15.00	8.00
4'	48.00	84.13	3.00	3.00



LYONS
STORE FIXTURES

11301 Electron Drive • Louisville, KY 40299 • Toll Free: 1-866-478-2372 • Fax: 1-866-478-2373