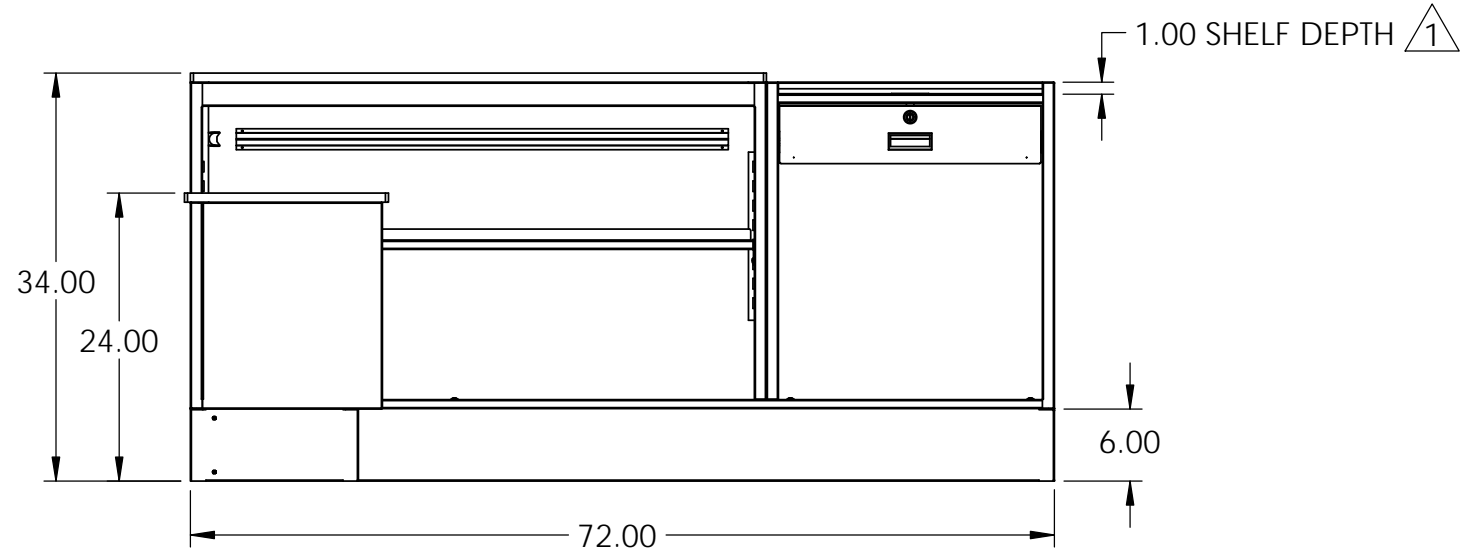
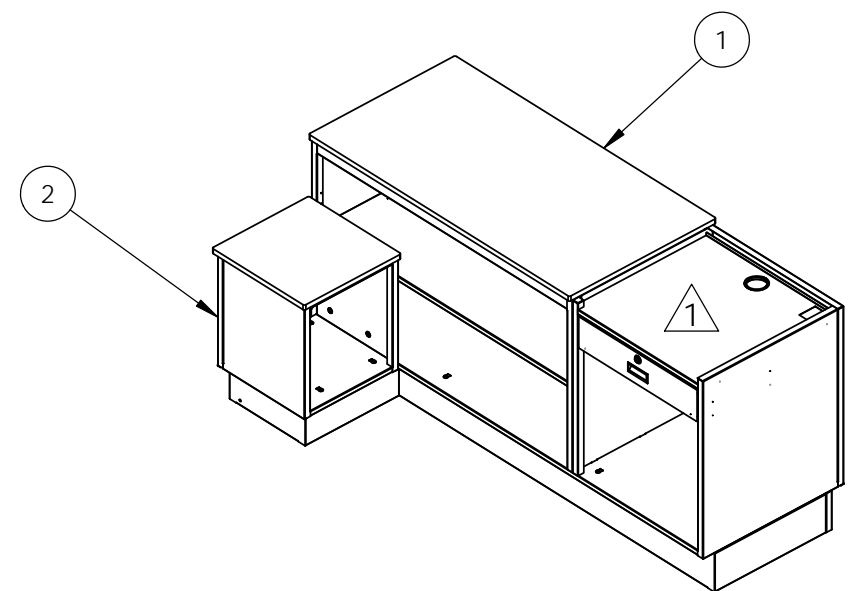
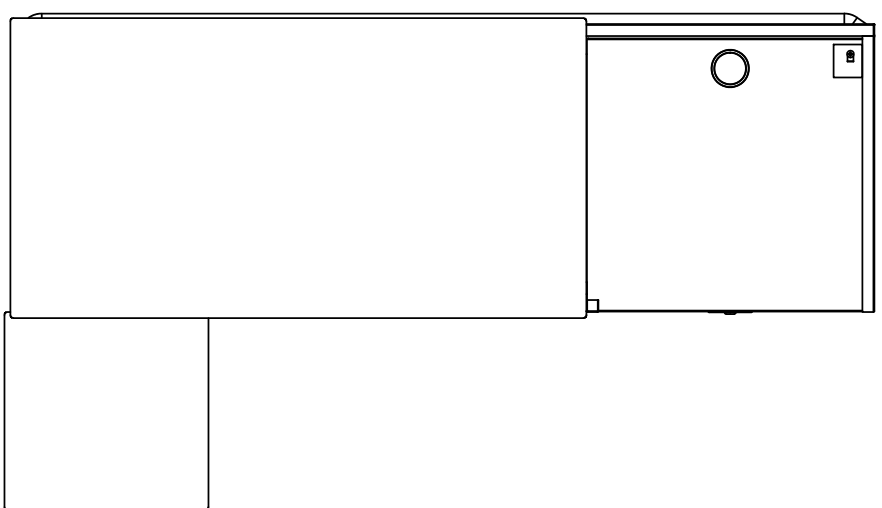
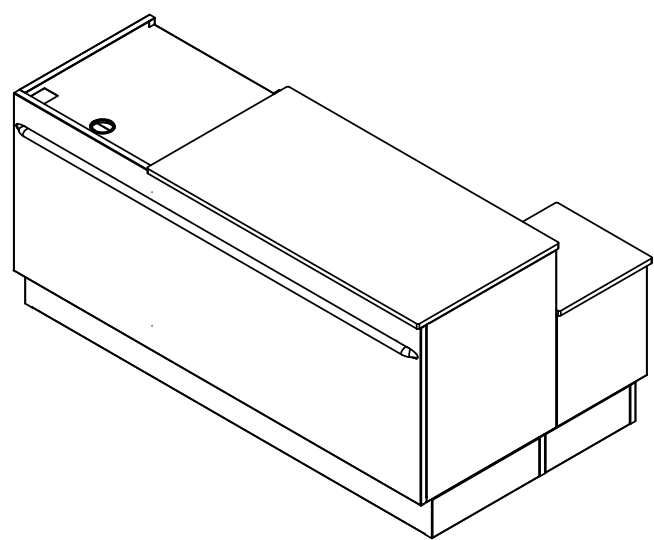



PART NUMBER:
S456

REV.	ECN #	DATE	DESCRIPTION	NAME	CHK'D BY
1	EN13-0132	5/16/2013	ADD 1.00 DIM, UPDATE IMAGE	MAH	DWS



NOTE:
DEBURR ALL SHARP EDGES.
NO SCRATCHES OR GOUGES ALLOWED.

ITEM NO.	PART NUMBER	DESCRIPTION	QTY.
1	S457	CABINET	1
2	S458	CABINET, 16 X 16 RH	1

 THE LYONS COMPANIES 11401 ELECTRON DRIVE, LOUISVILLE, KENTUCKY 40299 USA <small>THIS DRAWING CONTAINS INFORMATION PROPRIETARY TO THE LYONS COMPANIES, LLC. ANY REPRODUCTION, DISCLOSURE OR USE OF THIS DRAWING IS EXPRESSLY PROHIBITED EXCEPT AS THE LYONS COMPANIES, LLC. MAY AGREE OTHERWISE IN WRITING.</small>	FORMING DATA:	TOLERANCE:	CUST PART NUMBER:	REV & DATE:	CUSTOMER NAME:	REF DWG #:	PART NUMBER:	REV:			
	PR= BA= BA= BA=	.XX= ±.030 .XXX= ±.010 HOLES= ±.005 ANGLE= ±1° UNLESS NOTED	-	PROGRAM NUMBER: S456R1	1 of 1	CATAN CHECKOUT LANE	.	S456	1		
* DENOTES BEND LINE			FINISH: -	PAINT LBS: LBS	MATERIAL: -	PERIMETER: "	DRWN BY: MAH	DATE: 2-28-13	CHK'D BY: DFL	DATE: 3-4-13	RELEASED ON ECN #: EN13-0066