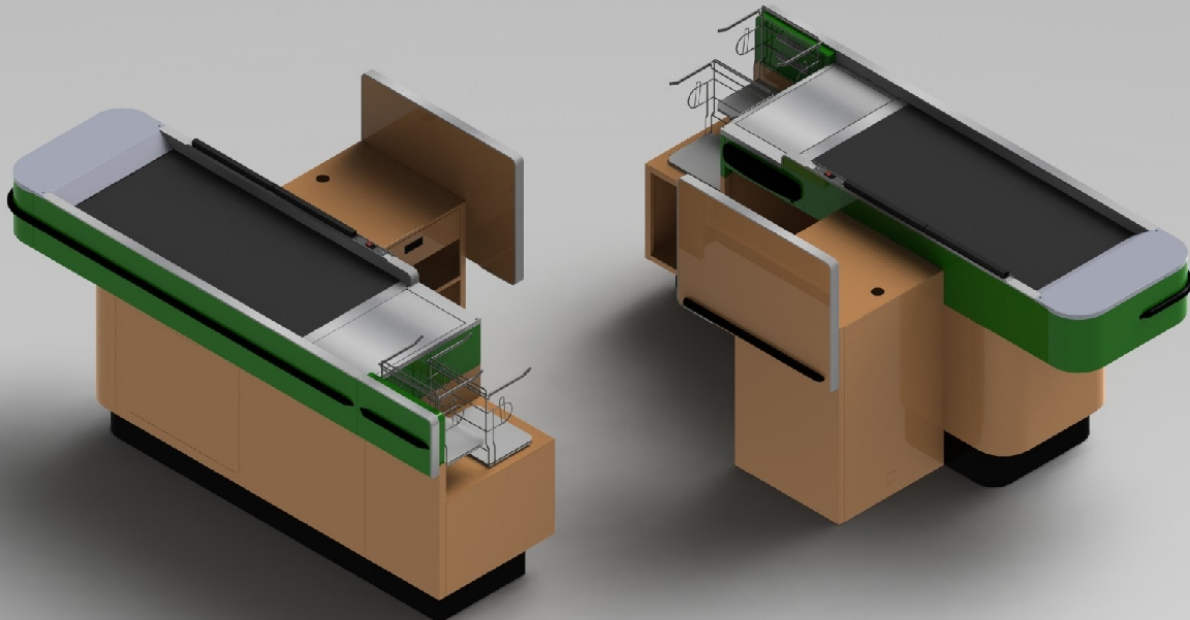
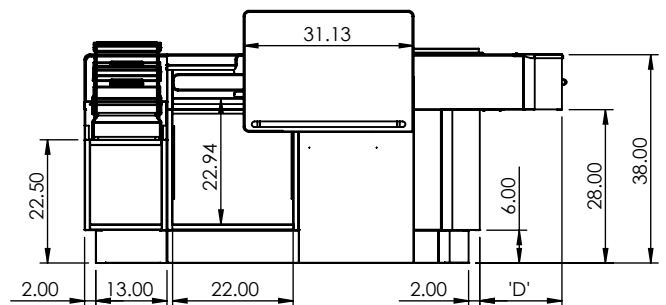
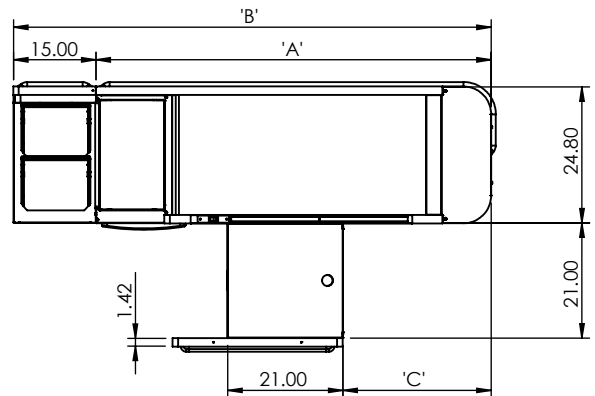


Value Series Scan and Bag - 2 Bags



FEATURES

- Scan and pass operation - 15" lg. rear bagger
- Radius design
- Cashier bag station
- Standard 21" cashstand with utility drawer and metal security shield
- Optional keyboard and check-writing shelf
- Cashier lean pad
- Electrical outlets included
- 5 optional conveyor lengths
- 2 optional cashstand widths, 19" & 24.5"
- Durable welded construction
- Other options available
- Bag racks not included



| CONVEYOR LENGTH (FT.) | DIMENSION (IN.) | | | |
|-----------------------|-----------------|--------|-------|-------|
| | A | B | C | D |
| 8' | 96.00 | 111.00 | 51.00 | 15.00 |
| 7' | 84.00 | 99.00 | 39.00 | 15.00 |
| 6' | 72.00 | 87.00 | 27.00 | 15.00 |
| 5' | 60.00 | 75.00 | 15.00 | 8.00 |
| 4' | 48.00 | 63.00 | 3.00 | 3.00 |

For additional information and options contact Lyons Store Fixtures.



LYONS
STORE FIXTURES

11301 Electron Drive • Louisville, KY 40299 • Toll Free: 1-866-478-2372 • Fax: 1-866-478-2373